

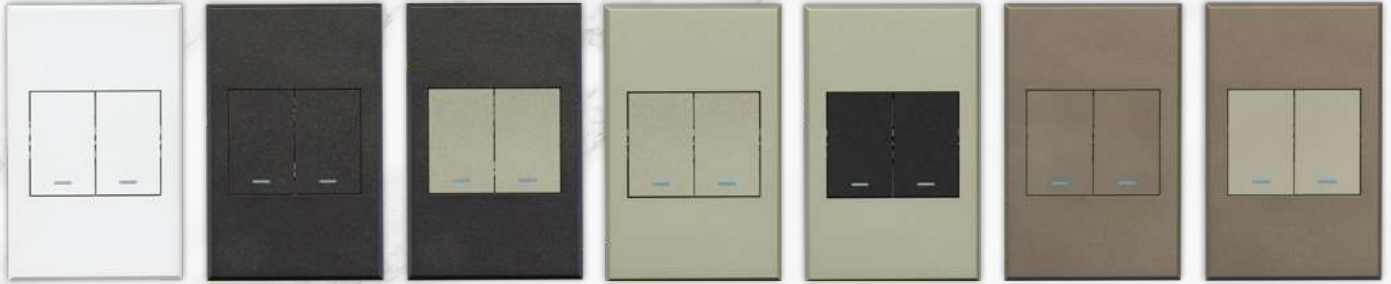
VETi3

A BRAND OF **MAJOR TECH**

POLA

Two Gang Switches

The VETI 3 range from Major Tech offers a variety of flat, elegant switches combining a sophisticated design with the highest standards of safety and performance. Its slim, modern profile blends seamlessly into any interior, adding a refined and stylish touch without compromising on practicality. Engineered to meet AS/NZS safety standards, it ensures reliable operation and peace of mind, making it ideal for residential, commercial, and industrial applications. The switch also carries RCM certification, confirming compliance with Australian and New Zealand regulations for electrical safety, electromagnetic compatibility, and energy efficiency. Available in sleek finishes, it offers both durability and timeless style, while the precision mechanism guarantees smooth, consistent switching. Designed for modern living, this switch is more than just functional, it's a statement piece that enhances interiors with elegance. With their versatile colour range and refined finish, the interchangeability allows for easy colour upgrades by simply clipping off the old and adding the new.



Product Selection

Image	Colour	Code	Description
	White Switch White Cover	3VW100	2 x Bell Press Switch
		3VW112	2 x One-Way Switch
		3VW122	2 x Two-Way Switch
		3VW102	1 x Bell Press Switch, 1 x Two-Way Switch
	Graphite Switch Graphite Cover	3V100GG	2 x Bell Press Switch
		3V112GG	2 x One-Way Switch
		3V122GG	2 x Two-Way Switch
		3V102GG	1 x Bell Press Switch, 1 x Two-Way Switch
	Titanium Switch Graphite Cover	3V100TG	2 x Bell Press Switch
		3V112TG	2 x One-Way Switch
		3V122TG	2 x Two-Way Switch
		3V102TG	1 x Bell Press Switch, 1 x Two-Way Switch
	Titanium Switch Titanium Cover	3V100TT	2 x Bell Press Switch
		3V112TT	2 x One-Way Switch
		3V122TT	2 x Two-Way Switch
		3V102TT	1 x Bell Press Switch, 1 x Two-Way Switch
	Graphite Switch Titanium Cover	3V100GT	2 x Bell Press Switch
		3V112GT	2 x One-Way Switch
		3V122GT	2 x Two-Way Switch
		3V102GT	1 x Bell Press Switch, 1 x Two-Way Switch
	Bronze Switch Bronze Cover	3V100BB	2 x Bell Press Switch
		3V112BB	2 x One-Way Switch
		3V122BB	2 x Two-Way Switch
		3V102BB	1 x Bell Press Switch, 1 x Two-Way Switch
	Titanium Switch Bronze Cover	3V100TB	2 x Bell Press Switch
		3V112TB	2 x One-Way Switch
		3V122TB	2 x Two-Way Switch
		3V102TB	1 x Bell Press Switch, 1 x Two-Way Switch

Two Gang Switches | Vertical Installation

CONTACT
South Africa

www.major-tech.com sales@major-tech.com

Australia

www.major-tech.com.au info@major-tech.com.au

Specifications

Function	Description
Overview	
Range	POLA
Product	Switch
Number of Switches	2
Configuration	Monoblock Switch + Cover Plate + Switch Cover
Installation Direction	Vertical
Technical	
Technical Type	Electromechanical
Device Mounting	Flush
Device Type	Two Gang Switch
Rated Operating Voltage	250V
Rated Current	16A
Terminal Connections	Screw Terminals
Fixing	By Screws
Material	Fixing Frame: Powdered Coated Iron Covers: Polycarbonate Mechanisms: Copper
Dimensions	
Height	80mm
Width	126mm
Depth	7.5mm
Packaged	
Single Quantity	1
Inner Carton Quantity	10
Outer Carton Quantity	100
Standards	
AS/NZS Standard	IEC 60669-1, AS/NZS 60669.1
Certificate	SAA
Warranty	
Limited Warranty	15 Years - GPO & Switches *Product Failure Warranty

Smart Switches

If you'd like to upgrade these standard products to smart functionality, ask about the MTS16, MTS17 & MTS17D modules. All support Wi-Fi (IEEE 802.11b/g/n, 2.4GHz only) and Bluetooth V5.1 (GFSK), and are compatible with Google Assistant and Amazon Alexa for voice control.

The MTS16 module makes one-way and two-way switches smart, adding features such as energy monitoring, scheduling, countdown, cycle timer, random mode, inching, child lock, and overcharge protection. The MTS17 and MTS17D modules transform bell press switches into smart universal dimmers with leading/trailing edge dimming, scheduling, countdown, and adjustable brightness from 1% to 100%, including customizable minimum and maximum brightness levels. The MTS17 is a single-channel module, while the MTS17D offers dual-channel control for lighting setups that need independent operation of multiple light sources.

Two Gang Switches | Vertical Installation

CONTACT

South Africa

 www.major-tech.com  sales@major-tech.com

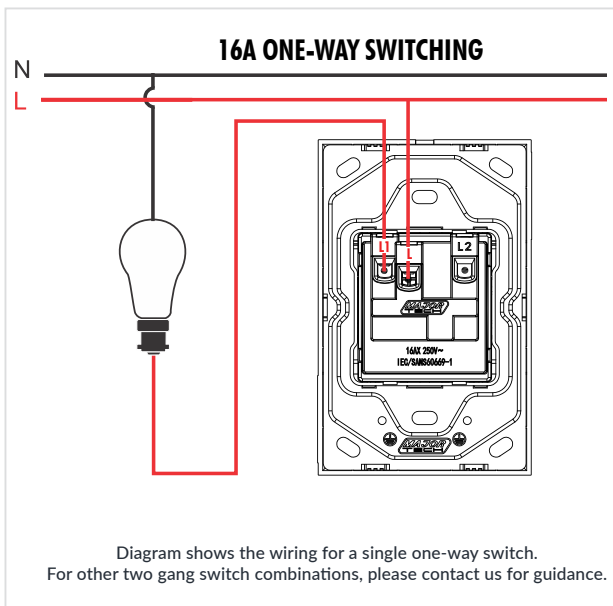
Australia

 www.major-tech.com.au  info@major-tech.com.au

Wiring Instructions

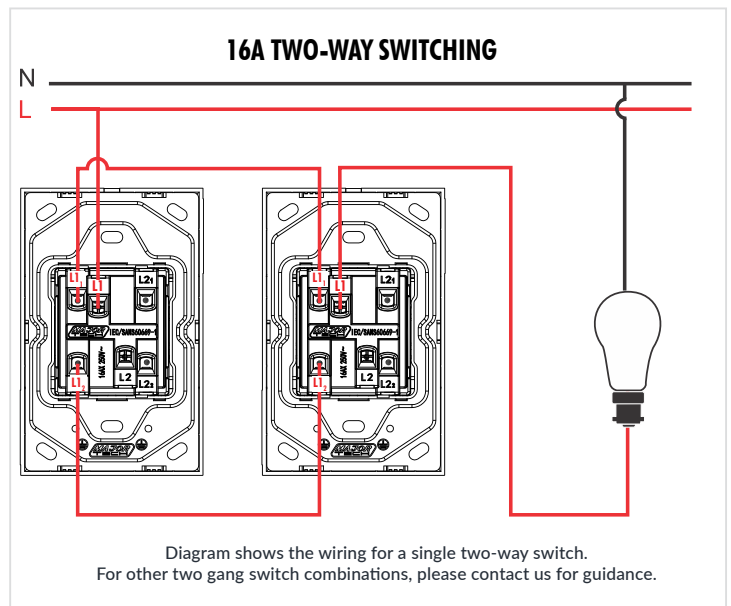
One-Way Switches

One-way switches have the ability of switching lights on and off from one location. One-way switches are convenient in all locations unless multiple position switching is required.



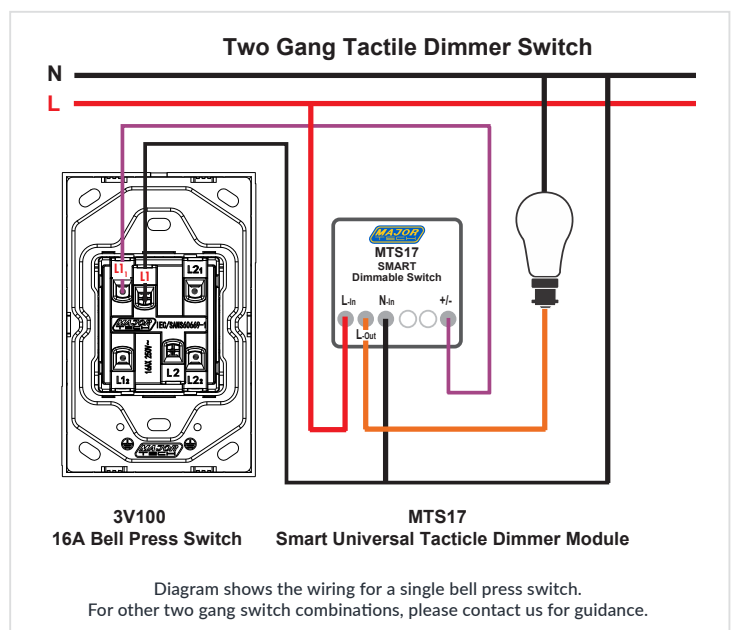
Two-Way Switches

Two-way switches have the ability of controlling the same lights from two separate locations. Two-way switches are convenient for use in locations such as stairways, a long corridor, or a very large room to allow lights to be turned ON or OFF in two places.



Bell Press Switches / Momentary Switches

A bell press switch will only be active when the switch is pressed and it will remain active for as long as there is pressure on the switch. The switch is only engaged while it is being held down, as opposed to a typical “on/off” switch, which latches in its set position. A bell press switch is convenient in changing the ambience of a room by simply raising or lowering the brightness of the lights when being used with a tactile dimmer unit. Bell press switches are useful in-home entertainment areas, bedrooms and bathrooms while important in office boardrooms for dimming lights during presentations. To create a dimmable circuit in the Vetii 3 range, MTS17 or equivalent, is required behind the corresponding bell press switch.



VETI 3

Don't be ordinary ... *Switch on Style!*



NEW VETI 3 RANGE

- Ultra Slim
- Perfectly Flat in the Off Position
- Colours to Help Switch on Style!
- Robust & Durable Design



0734 650 992



info@majortech.com.au



www.majortech.com.au



Scan to Download
Veti Catalogue